

To view this email as a web page, go [here](#).



[2006 Radiant Flooring Guide](#) | [AEC Store](#) | [ISH North America](#) | [Subscribe](#)

Radiant & Hydronics e-News week ending June 16, 2006

Improve Your Skills

To stay competitive in this changing economy, you'll need updated training and resources at your fingertips.

Radiant & Hydronics e-News offers an up-to-date listing of Hydronic Training needs in our Calendar Of Events, so be sure to pick a date or location that works best for you and your employees. The digital version of the [Radiant Panel Association's 2006 Radiant Flooring Guide](#) is another great resource to have on-hand. Check the link out again [here](#).



We're also interested in testing your mettle and troubleshooting skills. In the June issue of [Plumbing & Mechanical](#) magazine, we presented a new column: **The Glitch & The Fix**. With the help of hydronic design expert **John Siegenthaler**, we presented our readers a problem schematic, in hopes a closer look at design inefficiencies can keep you on your toes while designing your own hydronic systems. This collaboration is a continuation of John's popular "What's Wrong With This Schematic" program at recent RadFest shows.

PM will be presenting "The Glitch" in print, followed by "The Fix" in this e-newsletter. [Get your first "Fix" below](#).

Also in this issue of **Radiant & Hydronics e-News** ...

- [The Death Tax rears its ugly head again.](#)
- [RPA hosts Radiant seminars in conjunction with ISH NA.](#)
- [Taco raises its prices.](#)

Photo courtesy of Viega NA. Visit their training page at <http://www.viega-na.com/shell1.asp?areald=2§ionId=6&subsectionId=0&pageld=76>

Industry News

LINX Search:



Sponsored by:



viega-na.com

Share Us With A Friend!

Know someone who may be interested in receiving up-to-date Hydronic and Radiant news? Click on the image below and send **Radiant & Hydronics e-News** to a friend.



Calendar Of Events

June 21
[Viega Training Program: Climate Panel](#)
Bedford, MA

June 23
[Viega Training Program: How to Sell Radiant](#)
Bedford, MA

June 27
[Lochinvar KNIGHT Heat Boilers Product School](#)
Lebanon, TN

RPA Announces Convention Seminars

The [Radiant Panel Association](#) will hold its Annual Conference, Sept. 28-30 at the Westin Michigan Avenue, Chicago, in conjunction with ISH North America, and will host the following seminars:

- **High Velocity Cooling.** Learn how to utilize the small ducts and efficient cooling of high velocity cooling systems as a solution to providing complete comfort with radiant heating systems.
- **Green Radiant Technology.** With the country and the world moving toward technologies that are more environmentally friendly and energy efficient, find out how radiant fits into the picture.
- **Radiant Heat/Cool with Thermal Mass.** Using the radiant heating system to also provide cooling is a growing market in Europe and some engineering companies are successfully applying the technology in North America.
- **Reducing Your Liability.** In a lawsuit happy society, contractors are constantly at risk. Learn how you can protect yourself and your business from devastating litigation.

The convention also includes a full-day [Radiant Basics Course](#), and a full-day [Radiant Precision Course](#) at McCormick Place. For dates and times, and registration information,click below

<http://www.radiantpanelassociation.org/i4a/pages/index.cfm?pageid=102>



Death Tax Returns In 2011

The death tax, which will slowly phase out until 2010,will return in 2011 at the high tax level of 55% since the Senate recently voted not to permanently repeal the tax (57-41 vote). Industry associations have come out strongly against the tax for many years, since its continuously changing tax rate makes transitioning family businesses through generations a complex problem.



Top performance demands complete balance. Macon balance.



The Glitch & The Fix

Did You Catch The Piping Inefficiencies?

Below is "The Fix" to the inefficient system shown in the June issue of *Plumbing & Mechanical* magazine ...

John Siegenthaler says: Although the injection riser dips down 18-inches to form a trap - in the plumbing sense - this piping does NOT constitute thermal trap.

Consider the "U-shaped" portion of the hot (red) injection riser. It's filled with water that's at the same temperature on both sides of the U. Hence, this portion of the piping is "buoyancy balanced." It does not create any motivation for water to flow in either direction. The same can be said about the cooler U-bend. Although both sides of the cooler U-bend hold slightly heavier water than in the hot U-bend, (because cooler water is slightly denser than hot water) the blue U-bend is still buoyancy balanced.

The problem arises with the portion of the injection risers above the U-bends. Here the weight of the cool water in the blue riser is slightly greater than that of the hot water in the red riser. This weight difference between the pipes is analogous to a Ferris wheel with slightly more weight on one side. The imbalance causes the wheel to slowly rotate. The heavier side moving down while the lighter side rises.

June 27
[HVACTV Live!](#)
HVACTV.com, 8 p.m. EDT

July 20
[Viega Training Program: Combi-Flex](#)
Bedford, MA

July 20-21
[Lochinvar Copper-Fin Water Heaters and Boilers Product School](#)
Lebanon, TN

July 25
[Lochinvar KNIGHT Heat Boilers Product School](#)
Lebanon, TN

July 25
[Viega Training Program: How To Sell Radiant](#)
Bedford, MA

July 27
[Viessmann Academy Understanding Condensing Boilers](#)
Warwick, RI

July 28
[Viessmann Academy 'Say Hello to Solar'](#)
Warwick, RI

Aug. 1
[Viega Training Program: Radiant Wizard](#)
Bedford, MA

Aug. 3-4
[Lochinvar Intelli-Fin and Power-Fin Water Heaters and Boilers Product School](#)
Lebanon, TN

Aug. 7-9
[Grandy & Associates Basic Business Boot Camp](#)
Owensboro, KY

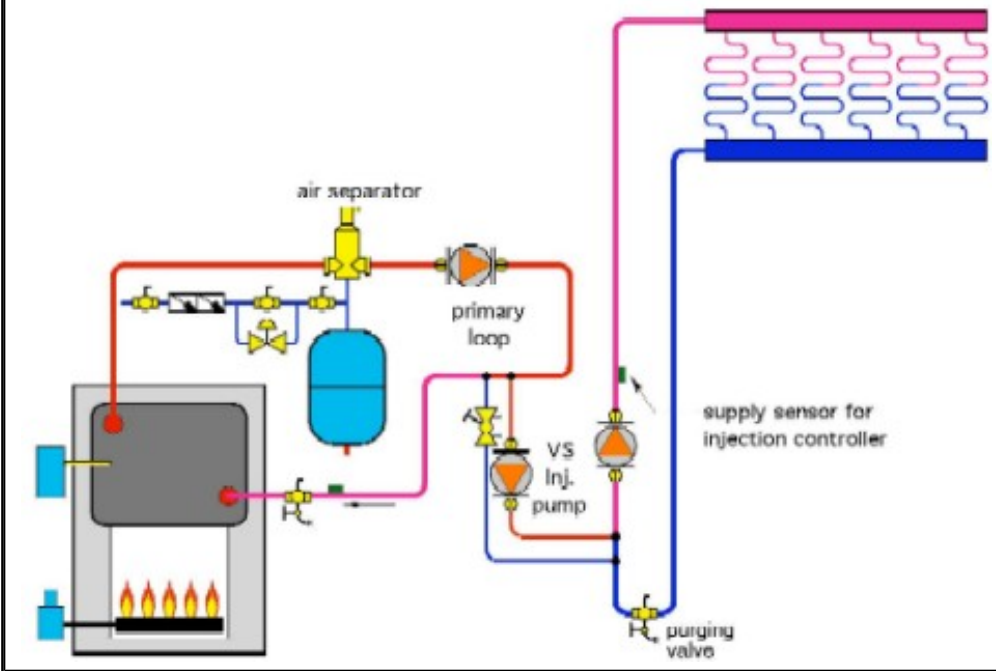
Aug. 8
[Viega Training Program: Basic Radiant](#)
Bedford, MA

Aug. 10
[Viessmann Academy Understanding Condensing Boilers](#)
Warwick, RI

In the hydronic system, hot water slowly rises into the distribution system even though the injection circulator is off, hence the source of the overheating complaint. This phenomena will stop only when there is not more hot water in the primary loop to "refuel" the thermosiphoning effect. Thus, it can persist for hours, especially if the primary loop is operating to serve other heating loads.

The cure is to be sure the "hot tees" (those connecting to the primary loop) are at least 18 inches above the "cool tees" (those connecting to the distribution system), as shown below. This detail does constitute a true thermal trap, and greatly reduces the possibility of unwanted heat migration into the distribution system.

Watch for *PM's* July issue for the next installment of "The Glitch & The Fix" troubleshooting challenge. To view the hydronic software used to create these schematics, visit www.HydronicPros.com.



Aug. 10
[Viega Training Program: Radiant Wizard](#)
Bedford, MA

Aug. 11
[Viessmann Academy Practical Service/Maintenance: Vitodens 200](#)
Warwick, RI

Aug. 21-22
[Viessmann Academy Commercial Hydronic Technology](#)
Warwick, RI

August 22-24
[Grandy & Associates Basic Business Boot Camp](#)
Green Bay, WI

Aug. 24-25
[Lochinvar Power-Fin Product School](#)
Lebanon, TN

Sept. 7
[Viessmann Academy Practical Service/Maintenance: Vitorond & Vitola](#)
Warwick, RI

Sept. 12
[Viega Training Program: Radiant Wizard](#)
Bedford, MA

Sept. 13
[RPA Radiant Basics](#)
Baltimore, MD

Sept 14
[WILO Pump Schools Heating Basics, Product Updages](#)
Calgary, Alberta

Sept. 14-15
[Lochinvar Copper-Fin II Product School](#)
Lebanon, TN

Sept. 15
[WILO Pump Schools Heating Advanced](#)
Calgary, Alberta

Sept. 19
[Viega Training Program: How to Sell Radiant](#)
Bedford, MA

Sept. 19-21

DESIGN SOFTWARE FOR HYDRONIC HEATING PROFESSIONALS

Visit www.hydrionicpros.com For More Information.



Company News

Rising Commodity Costs Prompt Further Taco Price Increase

Effective July 1, prices will increase across all [Taco Inc.](#) product lines:

- Price increases on water circulation products, including the "00" circulator product line up through the largest horizontal split case pump product lines, range from 5% to 8.5%.
- Price increases on hydronic accessories, including zone and flow control valves, range up to 12%.
- Price increases on air elimination and control products, including air separators and expansion tanks, range from 4% to 8%.
- Price increases on shell and tube heat exchangers, including all single- and double-wall heat exchangers, will be 15%.
- Price increases on electronic controls, including switching relays and zone

controls, will be 2%.

This is the second price increase that Taco has announced this year and is driven by steep cost increases for copper, bronze, oil and steel worldwide. For further information, contact your Taco sales representative through www.Taco-hvac.com.

Watts Water Technologies Continues Acquisitions

[Watts Water Technologies Inc.](http://www.WattsWater.com) announced it has acquired the following companies:

- French valve, fitting and manifold heating manufacturer **ATS Expansion Group** in a stock purchase transaction. The aggregate price paid by Watts was 60 million euros (approx. \$75 million US). ATS markets its products under the well-known brands of Gripp, Porquet and Sirius, and posts annual revenue of 40 million euros (approx \$50 million US).
- California-based plastic tube and hose manufacturer [Calflex Mfg. Inc.](http://www.CalflexMfg.com) in an asset purchase transaction. Calflex has additional production facilities in China and has approximately \$7 million in annual revenue.
- Sweden's [Kim Olofsson Safe Corp.](http://www.KimOlofsson.com) AB (KimSafe) in a stock purchase. KimSafe manufactures electronic controls for heat pump, solar and pellet heater applications. It has approximately \$7 million in annual revenue.

More Downloads At Rothenberger-USA.com

Plumbing tool manufacturer [Rothenberger USA](http://www.RothenbergerUSA.com)'s new Web site, www.rothenberger-usa.com, provides more information about product promotions, materials and images. It is easy to navigate and contains downloadable materials, such as product catalog and brochures, promotion updates, operating manuals, parts lists, and product and application photos.

Recent Appointments

[Bradford White Corp.](http://www.BradfordWhite.com) recently announced the promotion of four-year veteran **Robert Mikus** to the position of Parts Team Leader. He will oversee the daily operations of parts order management, the ongoing training of his team and improving customer service capabilities.

[Grandy & Associates Basic Business Boot Camp](#)

Orlando, FL

Sept. 20

[Viega Training Program: Radiant Piping](#)

Bedford, MA

Sept. 21

[WILO Pump Schools Heating Basics, Product Updates](#)

Chicago, IL

Sept. 21-24

[NAOHSM's Oilheat Retreat](#)

Lancaster, PA

Sept. 22

[WILO Pump Schools Heating Advanced](#)

Chicago, IL

Sept. 26

[Viega Training Program: Controls](#)

Bedford, MA

Sept. 28-30

[ISH North America](#)

Chicago

Sept. 28

[RPA Radiant Basics](#)

Chicago

Sept. 30

[RPA Radiant Precision](#)

Chicago

Online Now



Down With Debt

Most people don't know what they owe. Get to a known financial position and pay off your debt.

Do you struggle under the mounting pressure of debt, personal and/or in your business? You are not alone. The statistics on debt are troubling. This month in *Plumbing & Mechanical*, Ellen Rohr shows how to create a business balance sheet and increase your business options.

[Read the Complete Article @ PMmag.com](#)



The leaders in advanced hydronic systems that are easy to design, easy to install, and easy to live with.

www.taco-hvac.com

Did You Know . . .

Radiant Heat for homes may be nice, but UV Radiation from working in the sun is not cool!

Overexposure to UVA and UVB rays damages the skin. Irreparably. This summer, protect yourself and your employees from sun damage by applying sunscreen. [Shepard Medical Products](http://www.shepard-medical.com) offers CareMates™ oil-free sunscreen wipes and insect repellent wipes. They are individually packaged and easily travel to any location, while providing the highest level of protection. CareMates wipes can be purchased in small quantities or bulk bags. Visit www.shepard-medical.com.

[Learn more about proper sun protection at L'Oreal's Web site](http://www.lorealparis.com)

New Products

Slimline VFD: [Honeywell](http://www.honeywell.com) introduces its new Slimline™ variable frequency drive (VFD) bypass assembly - the smallest "true" electrical bypass assembly available in the HVAC industry today. It saves energy by keeping building control systems from running at full speed all the time, extending equipment life by reducing wear and tear. Its light weight and revolutionary compact design saves valuable wall space. To learn more, contact your local Honeywell Authorized Distributor or Honeywell sales rep. To register for your free variable frequency drive energy savings/environmental benefits calculator, visit customer.honeywell.com/buildings.

Revolutionary Cutting Station: [Stout Tool Corp.](http://www.stouttool.com)

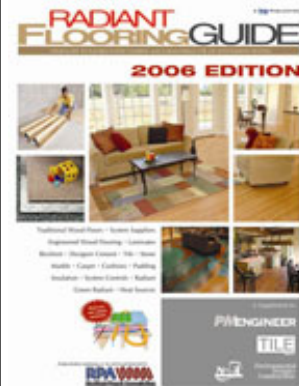
announced the launch of its Ultimate Cutting Station, a portable "docking" system that converts Stout's new and improved hand-held X-Band STX-250™ series cordless band saw into a compact, bench top, stationary cutting sensation. The cutting station allows users to cut materials up to 2 1/2 inches in diameter without ever picking up a tool. It can be transported easily between jobsites and workshops or from construction sites to lifts. www.stouttool.com



Modulating Vertical Boiler: [Raypak Inc.](http://www.raypak.com) introduces the new MVB™ modulating vertical boiler. It features 4:1 turndown capability that ensures the exact input to match the heating demand and maximizes efficiency at all firing rates. With all copper and bronze waterways, these boilers provide the ultimate in corrosion resistance. Available in seven sizes ranging from 500,000 to 2 million Btu/hr. inputs. www.raypak.com

Industry Links

- [Radiant Panel Association](#)
- [National Association Of Oil Heating Service Managers](#)
- [Canadian Hydronics Council](#)
- [Plastic Pipe & Fittings Association](#)
- [American Society of Plumbing Engineers](#)
- [GAMA](#)
- [HVACTV.com](#)
- [US Dept. of Energy](#)
- [ISH North America](#)
- [HeatingHelp.com](#)
- [HydronicPros.com](#)



2006 Radiant Flooring Guide Now In Digital Format

The Radiant Panel Association's **2006 Radiant Flooring Guide** is the only annual

publication that

Air Separator: [Caleffi's](http://www.caleffi.com) ASME-registered air separator is an effective means of removing air from circulated boiler or chiller system fluids. It features an all-steel shell and stainless-steel mesh coalesces. It scrubs the fluid, removing oxygen-rich micro-bubbles and impurities, increasing component life and improving overall system efficiency. www.caleffi.com



provides detailed articles on how to match various floor covering and subflooring materials with radiant heating systems. View its user-friendly Digital Version at the link below to access manufacturers' Web sites directly as you browse.

<http://www.bnpmmedia.com/digitalmagazine/index.html?pub=RFG&iss=2006>

You can still purchase hardcopy versions of the 2006 Radiant Flooring Guide through the Radiant Panel Association's Web site: <http://www.radiantpanelassociation.org/i4a/pages/index.cfm?pageid=246>



Engineers And Specifiers! Here's your chance to sign up for your own e-newsletter ... *PM Engineer* magazine offers a free twice-monthly newsletter that includes industry-specific news, events and product offerings. Click on the link below to access the sign-up form and stay in-the-know.

<http://bnpmmedia.hosting.exacttarget.com/sub.asp?mid=20203>



Click [here](#) to opt-in to receive **Radiant & Hydronics e-News** free twice a month.

If you would no longer like to receive Radiant & Hydronics e-News, please click on the unsubscribe link below.

Contact Our Editors!

This edition of **Radiant & Hydronics e-News** was sent especially to you because of your interest in the radiant and hydronic industries. Never miss your newsletters -- add enews.bnpmmedia.com to your address book. Can't view html e-mail? See it online by clicking the "View as a Web Page" link at the top of this e-newsletter.

Also, tell us how we did! We'd love to get your feedback. If you have any comments or questions about this e-mail, please [write our editors](#) and let them know, especially if you have suggestions how we can better serve your interests.

BNP Media

2401 W. Big Beaver Road, Ste. 700
Troy, Michigan, 48084-3333
U.S.A.

Radiant & Hydronics e-News is a twice-monthly newsletter compiled by the editorial staff of *PM*, *Supply House Times* and *PMEngineer* magazines.

Contact:

[Katie Rotella](#), senior editor *PM*

or

[Jim Olsztynski](#), editorial director

1050 IL Rte. 83, suite 200
Bensenville, IL 60106
630/377-5909

This e-mail was sent to you on behalf of Plumbing & Mechanical magazine.

For more industry tips, news, and resources, please visit www.pmmag.com.

If you're interested in viewing other publications BNP Media offers, please click [here](#).

[Send Radiant & Hydronics eNewsletter to a Friend](#)

[Subscribe to Plumbing & Mechanical magazine](#)

[Update your profile/e-mail address](#)

[One-Click Unsubscribe](#)

[View our Privacy Policy](#)